

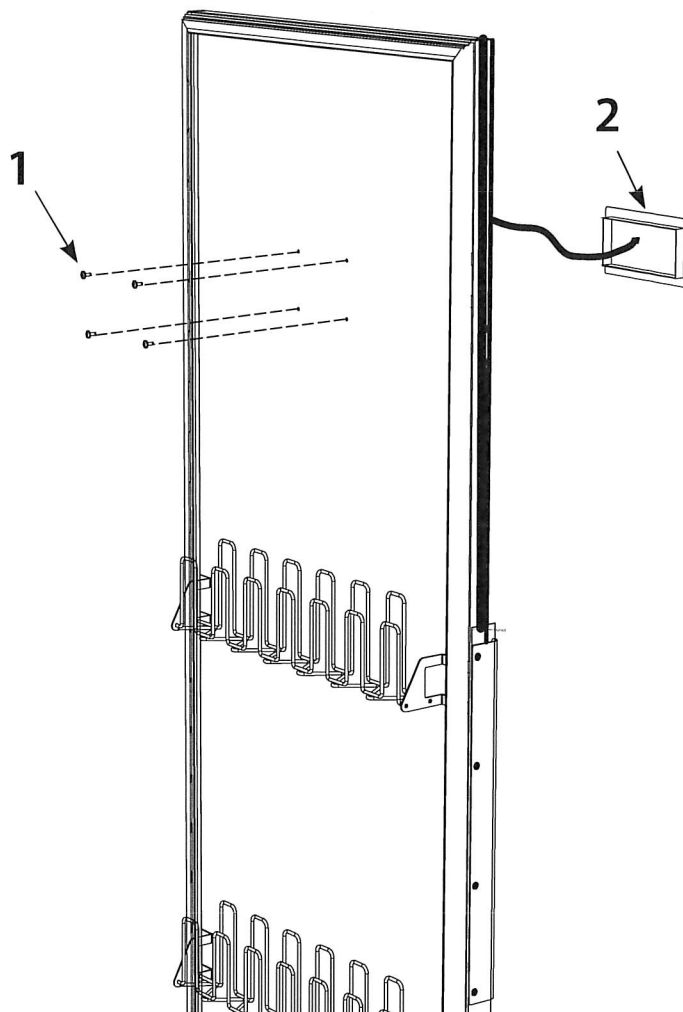
3 Replacement of display

- 1 Open the door and detach four screws (1) holding the display (2).

If the glove hanger is covering the screws, detach the hanger temporarily.

Detach the display from the door. Take care to avoid damaging the cable.

- 2 Detach the cable from the display and remove the old display.
- 3 Connect the cable to the new display and press the display home in the door.
- 4 Attach the new display to the door with the screws.



4 Rehanging the door

The cabinet is supplied from the factory with a right-hung or left-hung door. The door can be rehanged afterwards.

A rehanging kit is needed to rehang the door. This can be ordered as a spare part.

Rehanging kit

- Upper hinges, 1 right and 1 left

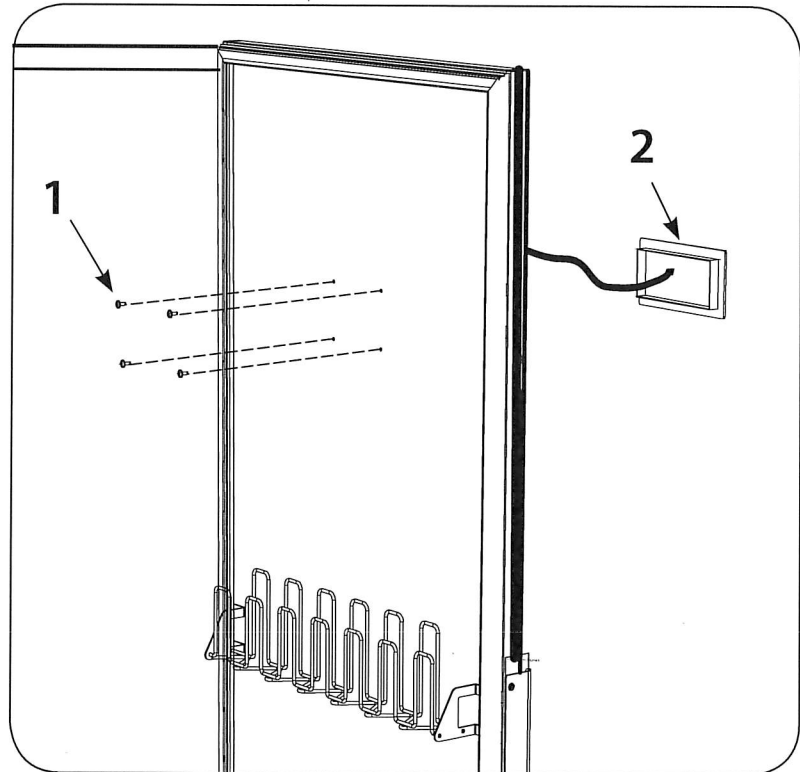
The description below shows rehanging from right-hung door to left-hung.

- 1** Open the door and detach four screws (1) holding the display (2).

If the glove hanger is covering the screws, detach the hanger temporarily.

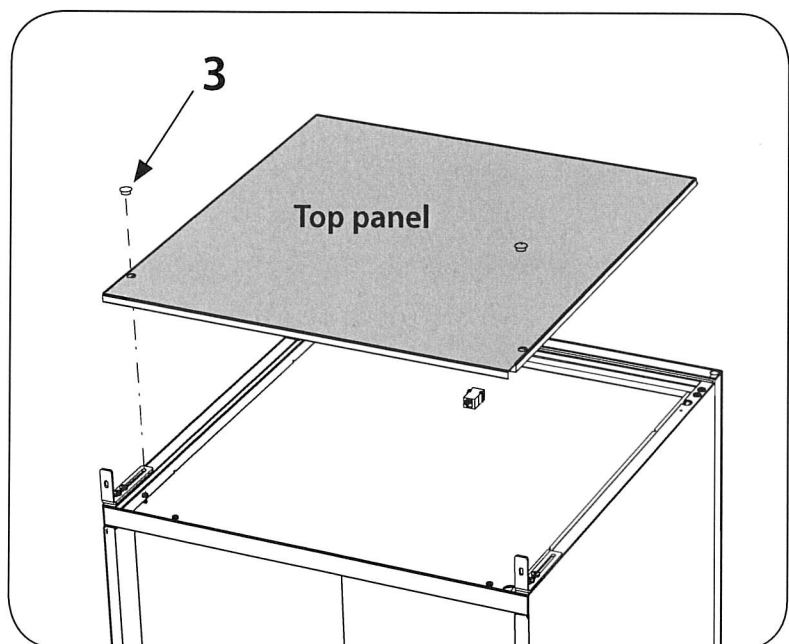
Detach the display from the door. Take care to avoid damaging the cable.

- 2** Detach the cable from the display and remove the display. Let the cable hang down.



- 3** Detach the cabinet from the wall and rotate to gain access to the rear.

- 4** Detach the two screws holding the top panel. You will find the screws under the blanking plugs (3), as illustrated, and disassemble the panel.

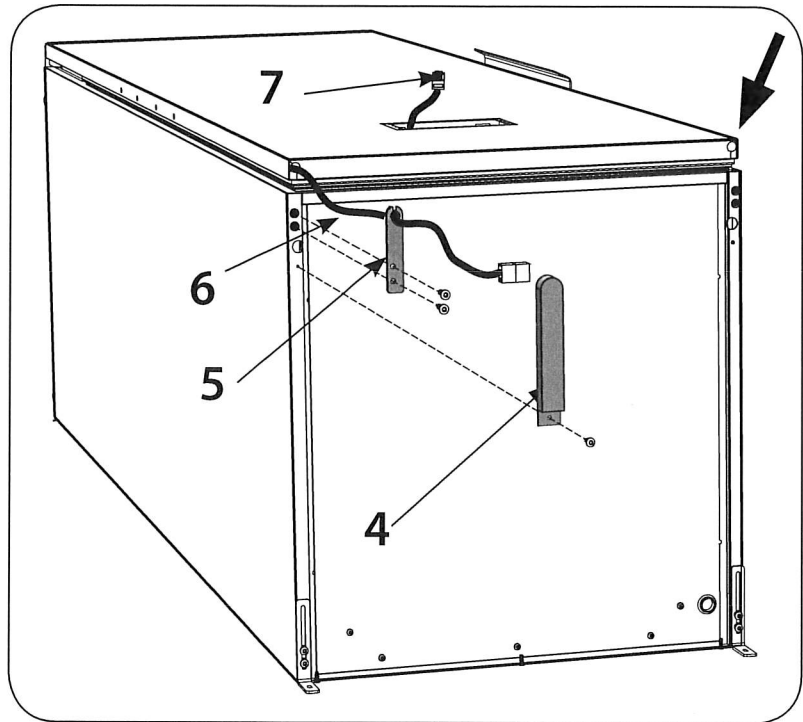


5 Carefully lay the cabinet on its back.

6 Remove the protective cover (**4**) of the upper hinge (**5**) and release the door cable (**6**). Disassemble the hinge which is attached by two screws. Carefully pull the hinge away from the cable.

Discard the hinge.

The hinge features a slot where the cable is threaded in or out.



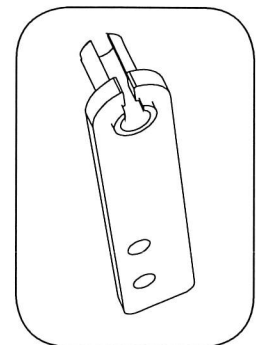
7 Carefully pull the door cable out together with the plastic bushing. If the connector (**7**) is taped, it is easier to pull the cable out.

8 Take out the new upper hinge from the rehanging kit and thread the new cable onto this in the same way that the old one was detached from the cable.

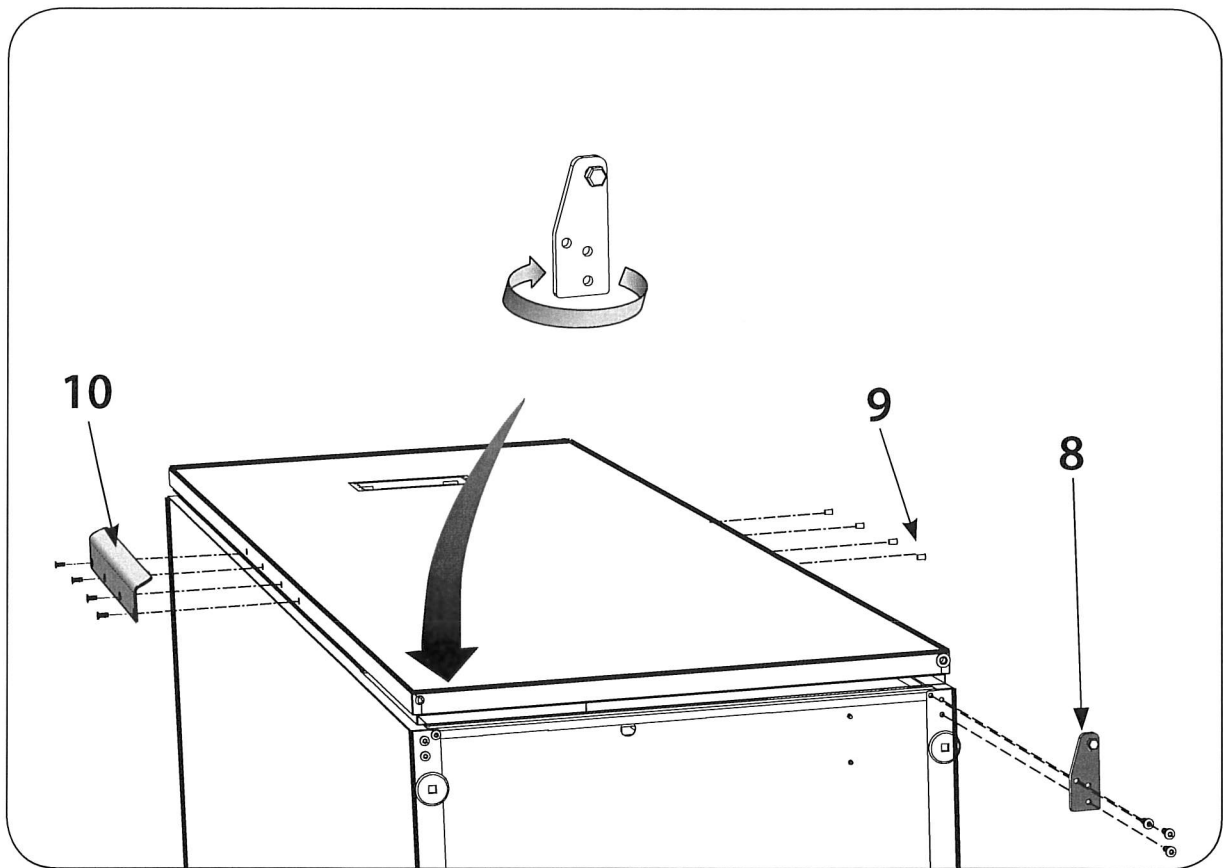
9 Thread the cable into the door at the arrow shown in the illustration and press the plastic bushing home. Fit the hinge and the hinge cover.

10 Refit the top panel of the drying cabinet which was removed under point 4.

11 Locate the cable so that it reaches the opening of the display.



*Upper door hinge
(right-hung door)*



- 12** Move the lower hinge (**8**) to the other side. The hinge must be inverted and the hinge pin unscrewed and refitted on the other side of the hinge.

Make sure that you tighten the hinge pin properly.

- 13** Detach the blanking plugs (**9**) and the door handle (**10**). Change sides for the parts.
- 14** Raise the cabinet to the upright position.
- 15** Locate the door cable connector and refit this in the display. Position the display and secure this with the four screws from the inside of the door.
- 16** Position the cabinet and **secure the cabinet to the wall.**

